

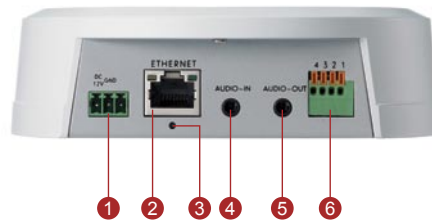


ACM-8511

IP PTZ Camera

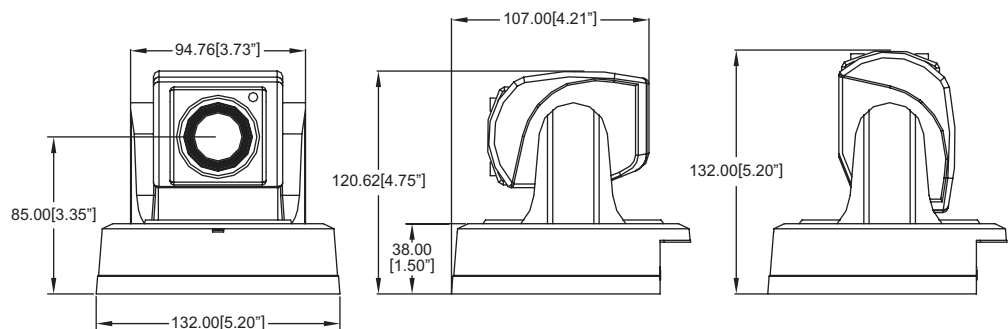


- 1/4 inch CCD Image Sensor
- Day and night function
- Optical zoom ratio 10X
- 0.009 Lux at F1.8 (5600° K, 50 IRE, Max. AGC, Max. Sense Up)
- Backlight Compensation, Auto Iris Control, Auto White Balance Supported
- Selectable MPEG-4 / MJPEG compression
- CIF up to Full D1 resolution at 30/25 FPS
- Multi-stream with variable frame rate in the same compression
- Two-way audio supported
- Hardware motion detection, Digital Input/Output
- DC 12V or Power over Ethernet (IEEE 802.3af) supported



- | | |
|-----------------|--------------------------|
| ① Power Input | ④ Audio Input |
| ② Ethernet Port | ⑤ Audio Output |
| ③ Reset Button | ⑥ Digital Input / Output |

DIMENSION DIAGRAM



Unit: mm [inch]



PRODUCT SPECIFICATION

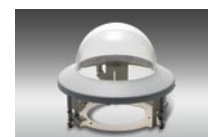
		ACM-8511	
Image	Device	1/4 inch CCD Image Sensor	
	Size	1/4 inch	
	Effective Pixels	811(H) x 508(V)(NTSC); 795(H) x 596(V)(PAL)	
	Horizontal Resolution	480 TVL	
Min. Scene Illumination	Color	2.5 Lux at F1.8 (5600°K, 50 IRE)	
	B/W	0.009 Lux at F1.8 (5600° K, 50 IRE, Max. AGC, Max. Sense Up)	
Lens	CDS Sensor	N/A	
	Focal Length	4.2 mm ~ 42 mm	
	Zoom Ratio	10x	
	Aperture Ratio	F1.8 (Wide), F2.9 (Tele)	
	Diagonal angle	56.4° (W) ~ 6.1° (T)	
	Digital Zoom	X1 ~ X10 variable	
Synchronization	Sync. System	Internal	
Day/Night Functions	Mechanical IR Cut Filter	N/A	
	Motion Detection	Yes (3 Windows)	
Functions	Electronic Shutter	1/60 ~ 1/120,000 sec. (NTSC) 1/50 ~ 1/120,000 sec. (PAL)	
	Fixed Shutter (Manual)	1/60 ~ 10,000 sec. (NTSC); 1/50 ~ 10,000 sec. (PAL)	
	BLC	Super BLC, 48 zone BLC	
	AGC	AUTO (18 dB max.)	
	White Balance	ATW / AWB / FIX	
	Number of Preset	32 points	
	Preset Tour	10 group	
	Auto Scan	Yes	
S/N Ratio	S/N Ratio	Better than 44 dB	
PAN/TILT	Manual Speed	Pan	10° ~ 90°
		Tilt	10° ~ 70°
	Travel Range	Pan	354° (0° ~ 354°)
		Tilt	115° (-25° ~ 90°)
Video Compression	Compression	MPEG-4 SP, MJPEG selectable	
	Picture Resolution	Full D1 (720 x 480 in NTSC, 720 x 576 in PAL); VGA (640 x 480 in NTSC, 640 x 480 in PAL); CIF (352 x 240 in NTSC, 352 x 288 in PAL); QCIF (160 x 112 in NTSC, 176 x 144 in PAL)	
	Bit Rate	28 K ~ 3 M bps	
	Image Frame Rate	30 fps at full D1 resolution (NTSC) 25 fps at full D1 resolution (PAL)	
Audio Input	Compression	8 kHz, Mono, PCM	
	Audio Line Input	Unbalanced, 1.4Vp-p, 1Vrms, 3.5 mm Phone Jack	
Audio Output	Compression	8 kHz, Mono, PCM	
	Audio Line Output	Unbalanced, 1.4Vp-p, 1Vrms, 3.5 mm Phone Jack	
Alarm	Digital Input	1, TTL, terminal block	
	Digital Output	1, TTL, terminal block	
External I/O	Reset Button	Factory default	
	LED	System status	
Network	Ethernet	Ethernet (10/100Base-T), RJ-45 connector	
	Protocol	TCP, UDP, IP, HTTP, DHCP, PPPoE, RTP, RTSP, FTP, SMTP, DNS, DDNS, NTP, ICMP, IGMP, ARP	
Software	Web Browser	Microsoft Internet Explorer 6.0 or above	
	SDK	ACTi SDK-10000	
Operating	Security	Password protection: configured by the administrator	
Power	Temperature	0 °C ~ 45 °C (32 °F ~ 112 °F)	
	Power Requirement	PoE (IEEE802.3af) with Class 3	
Physical	Power Consumption	4.8 W (DV 12 V); 5.8 W (PoE)	
	Dimensions (Ø x H)	132 mm x 132 mm (5.20" x 5.20")	
Approvals	Weight	550 g (1.21 lb)	
	Certificate	CE, FCC	

MODEL SELECTION

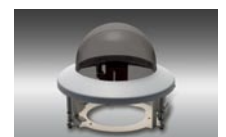
Model Name	NTSC	PAL	D & N	DC 12V / PoE
ACM-8511N	✓		✓	✓
ACM-8511P		✓	✓	✓

ACCESSORY OPTIONS

- Flush mount kit-Transparent Cover PMAX-1001-000R0
- Flush mount kit-Smoke Cover PMAX-1002-000R0



PMAX-1001-000R0



PMAX-1002-000R0