

# ACM-7411

## Megapixel IP Rugged Dome Camera

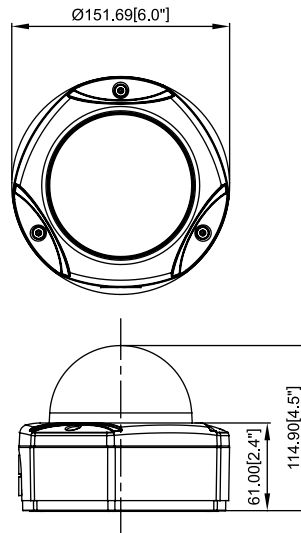


- 1/3" Micron Progressive Scan CMOS
- Day and night function with Mechanical IR Cut Filter
- Integrated f3.3~12 mm / F1.6 Megapixel lens
- 0.05 Lux at F1.0
- Selectable MPEG-4 / MJPEG compression
- Up to SXGA resolution at 8 FPS
- Multi-stream with variable frame rate in the same compression
- Two-way audio supported
- Hardware motion detection, Digital Input/Output
- DC 12V or Power over Ethernet (IEEE 802.3af) supported
- Heavy-duty, weatherproof and vandal proof with IP66 protection
- Surface, flush and wall mount supported



- ① Ethernet Port
- ② DC 12V Power Input
- ③ Reset Button
- ④ Audio & Digital Input / Output

### DIMENSION DIAGRAM



Unit: mm [inch]



## PRODUCT SPECIFICATION

		ACM-7411
Image	Device	Micron Progressive Scan CMOS
	Size	1/3 inch
	Effective Pixels	1280 (H) x 1024(V)
Min. Scene Illumination	Color	Color mode automatically switched to B/W mode under 4 Lux
	B/W	0.05 Lux at F1.0 (2400 °K, 30 IRE)
	CDS Sensor	Yes
	IR Sensitivity	from 700nm to 1100 nm
Lens	Lens	f3.3 ~ 12 mm / F1.6
	Viewing Angle	89.8° ~ 23.9° (Horizontal)
Camera Angle Adjustment	X (Panning)	0° ~360°
	Y (Tilting)	0° ~180°
	Z (Rotating)	0° ~360°
Synchronization	Sync. System	Internal
Day/Night Functions	Mechanical IR Cut Filter	Yes
	Motion Detection	Yes (3 Windows)
Functions	Electronic Shutter	1/5 ~ 1/15,000 sec
	Fixed Shutter (Manual)	1/30 ~ 1/1,000 sec. (60Hz); 1/25 ~ 1/1,000 sec. (50Hz)
	Flickerless	1/120 sec. (60Hz); 1/100 sec. (50Hz)
	BLC	Yes
	AGC	Automatic (User definition)
	White Balance	AUTO, INDOOR1, INDOOR2, OUTDOOR1, OUTDOOR2, HOLD CURRENT, MANUAL
S/N Ratio	S/N Ratio	Better than 44 dB
Video Compression	Compression	MPEG-4 SP, MJPEG selectable
	Picture Resolution	SXGA (1280x1024); HD720 (1280x720); VGA (640x480); QVGA (320 x 240); QQVGA (160 x 112)
	Bit Rate	28K ~ 3M bps
	Image Frame Rate	8 fps at SXGA; 10 fps at HD720; 30 fps at VGA; 30 fps at QVGA; 30 fps at QQVGA
Audio Input	Compression	8kHz, Mono, PCM
	Audio Line Input	Unbalanced, 1.4Vp-p, 1Vrms, terminal block
Audio Output	Compression	8kHz, Mono, PCM
	Audio Line Output	Unbalanced, 1.4Vp-p, 1Vrms, terminal block
Alarm	Digital Input	1, TTL, terminal block
	Digital Output	1, TTL, terminal block
External I/O	Reset Button	Factory default
	IP66 Rated	Weatherproof casing with IP66 standard
Casing	Vandal Proof	Vandal proof supports, durability up to 659.23 KgF
	Mount Types	Surface / Flush / Wall
	Ethernet	Ethernet (10/100 Base-T), RJ45 Connector
Network	Protocol	TCP, UDP, IP, HTTP, DHCP, PPPoE, RTP, RTSP, FTP, SMTP, DNS, DDNS, NTP, ICMP, IGMP, ARP
	Web Browser	Microsoft Internet Explorer 6.0 or above
Software	SDK	ACTI SDK-10000
	Security	Password protection: configured by the administrator
	Heater / Fan	Yes (built-in)
Operating	Temperature	-30 °C ~ 50 °C (-22 °F ~ 122 °F) for DC 12V; -5 °C ~ 50 °C (7 °F ~ 122 °F) for PoE
	Power Requirement	PoE (IEEE802.3af) with Class 3
Power	Power Consumption	3.4 W (DC 12V) w/o Heater & Fan 13.2 W (DC 12V) w/ Heater ON & Fan ON * 4.4 W (PoE) w/o Heater & Fan
	Dimensions (ØxH)	151.69 mm x 114.9 mm (6.0" x 4.5")
Physical	Weight	1040 g (2.29 lb)
	Certificate	CE, FCC, IP66

\* PoE cannot support Heater and Fan.

## ACCESSORY OPTIONS

- Wall mount kit
- Flush mount kit
- Fixed Dome Cover-Smoke Cover

PMAX-0301-000R0  
 PMAX-1003-000R0  
 PDCX-1101-000R0



PMAX-0301-000R0



PMAX-1003-000R0



PDCX-0100-000R0

\* All specifications are subject to change without notice.  
 \* All brand names and registered trademarks are the property of their respective owners.