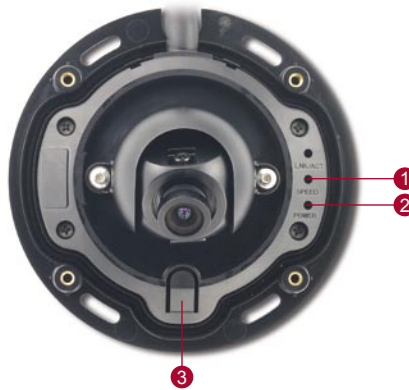


# ACM-3601/ACM-3603



- 1/3" Micron Progressive Scan CMOS
- Integrated with f3.6mm / F1.8 fixed lens
- 0.5 Lux at F1.0
- Interchangeable Lenses Available
- Shutter Speed, White Balance, Exposure , Gain Controls supported
- Selectable MPEG-4 / MJPEG compression
- VGA resolution at 30 FPS
- Multi-stream with variable frame rate in the same compression
- Hardware motion detection
- Support Power over Ethernet (IEEE 802.3af) only
- Rugged RJ45 Ethernet connector (ACM-3601) / Rugged M12 Ethernet connector (ACM-3603)
- Weatherproof and vandal proof with IP66 protection



- 1 Ethernet Indicator LED
- 2 Power LED
- 3 Reset Button

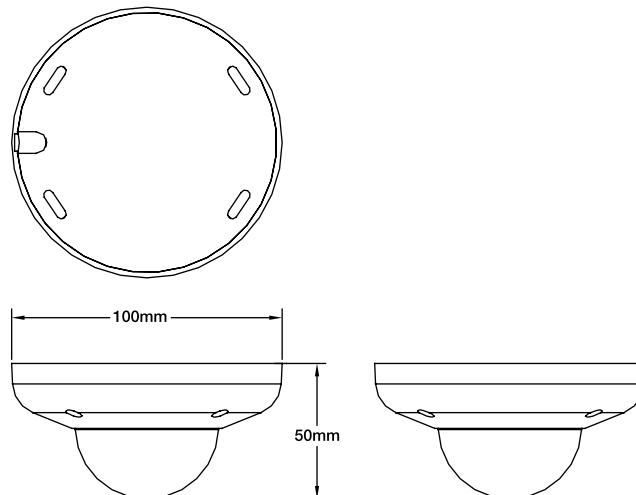


Rugged RJ-45 Connector



Rugged M12 Connector

## DIMENSION DIAGRAM



Unit: mm [inch]

**ACM-3601/ACM-3603****PRODUCT SPECIFICATION**

		ACM-3601	ACM-3603
Image	Device	Micron Progressive Scan CMOS	
	Size	1/3 inch	
	Effective Pixels	640(H) x 480(V)	
Min. scene Illumination	Color	0.5 Lux at F1.0 (2400°K, 30 IRE)	
Lens	Lens	f3.6mm / F1.8	
	Viewing Angle	85° (Horizontal)	
Camera Angle Adjustment	X (Panning)	± 20°	
	Y (Tilting)	0° ~ 90°	
Synchronization	Sync. System	Internal	
	Motion Detection	Yes (3 Windows)	
	Electronic shutter	1/5 ~ 1/15,000 sec.	
Functions	Fixed Shutter (Manual)	1/30 ~ 1/1,000 sec. (60Hz); 1/25 ~ 1/1,000 sec. (50Hz)	
	Flickerless	1/120 sec. (60Hz); 1/100 sec. (50Hz)	
	BLC	Yes	
	AGC	Automatic (User defined)	
	White Balance	AUTO, INDOOR1, INDOOR2, OUTDOOR1, OUTDOOR2, HOLD CURRENT, MANUAL	
S/N Ratio	S/N Ratio	Better than 44 dB	
	Compression	MPEG-4 SP / MJPEG	
Video Compression	Picture Resolution	VGA (640 x 480); QVGA(320 x 240); QQVGA(160 x 112)	
	Bit Rate	28 K ~ 3 M bps	
	Image Frame Rate	30 fps at VGA resolution	
External I/O	Reset Button	Factory Default	
	LED	System Status	
Casing	IP66 Rated	Weatherproof casing with IP66 standard	
	Vandal Proof	Vandal proof supports, durability up to 722.66 KgF	
	Mount Type	Surface	
Network	Ethernet	Ethernet(10/100 Base-T), Rugged RJ-45 Connector	Ethernet(10/100 Base-T), Rugged M12 Connector
	Protocol	TCP, UDP, IP, HTTP, DHCP, PPPoE, RTP, RTSP, FTP, SMTP, DNS, DDNS, NTP, ICMP, IGMP, ARP	
Software	Web Browser	Microsoft Internet Explorer 6.0 or above	
	SDK	ACTi SDK-10000	
Operating	Security	Password Protection: Configured by the administrator	
	Temperature	-20°C~50°C (-4°F ~ 122°F)	
Power	Power Requirement	PoE (IEEE 802.3af) with Class 3	
	Power Consumption	2.4W	
Physical	Dimensions (Ø x H)	100 mm x 50 mm (3.94" x 1.97")	
	Weight	220g (0.48 lb)	
Approvals	Certificate	<ul style="list-style-type: none"> <li>• CE, FCC    • EN60950-1    • IP66</li> <li>• EN50155: Vibration, mechanical shock and temperature</li> <li>• ISO16750-3: Vibration</li> </ul>	

**MODEL SELECTION**

Model Name	Rugged RJ-45 PoE	Rugged M12 PoE
ACM-3601	V	
ACM-3603		V

**BUNDLED ACCESSORY**

- RJ45 Field Installable Feed Through Adaptor (ACM-3601 Only)



- M12 Field Installable Feed Through Adaptor (ACM-3603 Only)

**ACCESSORY OPTION**

- Lens, f6.0mm, F1.8, Board mount, Format 1/3" PLEN-0109
- Lens, f12.0mm F1.8, Board mount, Format 1/3" PLEN-0110
- Lens, f2.4mm F2.0, Board mount, Format 1/3" PLEN-0111
- Mini Dome Cover-Smoke Cover PDCX-1102-000R0

**ACM-3601 Only**

- PoE Injector (US/ Japan) PPOE-0000-000R0
- PoE Injector (Europe) PPOE-1000-000R0
- PoE Injector (UK) PPOE-3000-000R0
- PoE Injector (Australia) PPOE-4000-000R0



PDCX-1102-000R0



PPOE-X000-000R0

\* All specifications are subject to change without notice.

\* All brand names and registered trademarks are the property of their respective owners.

[www.acti.com](http://www.acti.com)

**ACTi**  
Connecting Vision