



ACD-3100

Video Decoder with Two Way Audio

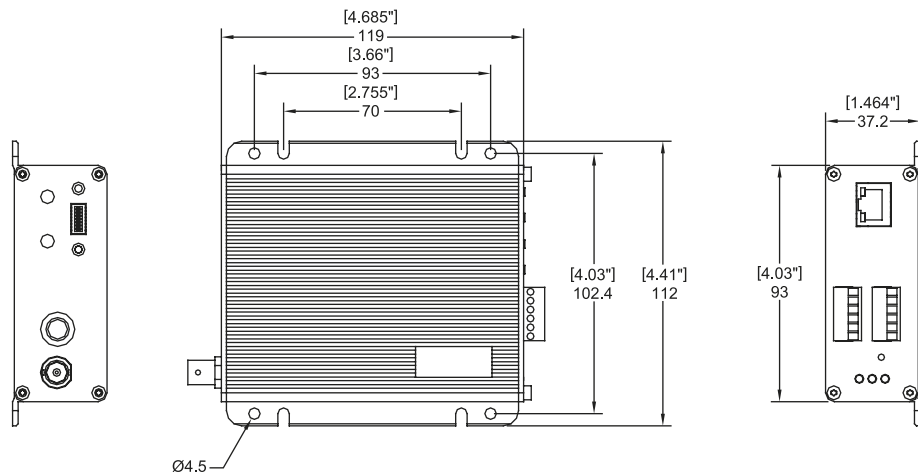


- Full D1 MPEG-4 video decoding at 30/25 FPS
- Digital time code retrieved
- Two way audio supported
- Hardware motion detection, Digital Input / Output



- | | | |
|--------------------------|------------------------------------|-----------------------------------|
| ① Power LED | ⑤ Serial Port & DC 12V Power Input | ⑦ Serial Port Setting |
| ② Serial Port LED | ⑥ Ethernet Port | ⑧ Audio Input / Output |
| ③ Reset Button | | ⑨ Analog Video Output (Y/C) |
| ④ Digital Input / Output | | ⑩ Analog Video Output (Composite) |

DIMENSION DIAGRAM



Unit: mm [inch]

**PRODUCT SPECIFICATION**

Video	
Decompression	MPEG-4 ASP, SP decompression
Picture Resolution	Full D1 (720 x 480 in NTSC, 720 x 576 in PAL)
Bit Rate	28 K ~ 3 M bps
Image Frame Rate	30 fps at full D1 resolution (NTSC); 25 fps at full D1 resolution (PAL)
Video Output	CVBS, 1.0Vp-p with 75 Ω loading, BNC connector; Y/C, 1.0Vp-p with 75 Ω loading / 0.286Vp-p with 75 Ω loading, S connector
Audio Input	
Compression	8kHz, Mono, PCM
Audio Line Input	Unbalanced, 1.4 Vp-p, 1Vrms, 3.5 mm Phone Jack
Audio Output	
Compression	8kHz, Mono, PCM
Audio Line Output	Unbalanced, 1.4 Vp-p, 1Vrms, 3.5 mm Phone Jack
Alarm	
Digital Input	2, TTL, terminal block
Digital Output	2, TTL, terminal block
Remote Control	
Serial Port	RS-485: half duplex, terminal block RS-422: full duplex, terminal block RS-232: full duplex, terminal block

External I/O	
Reset Button	Factory default
LED	System status
Network	
Ethernet Port	Ethernet (10/100Base-T), RJ-45 connector
Protocol	TCP, UDP, IP, HTTP, DHCP, PPPoE, RTP, RTSP, DNS, DDNS, ICMP, ARP
Software	
Web Browser	Microsoft Internet Explorer 6.0 or above
SDK	URL command
Security	Password protection: configured by the administrator
Operating	
Temperature	0 °C ~ 50 °C (32 °F ~ 122 °F)
Power	
Power Requirement	DC 12V ±10%
Power Consumption	3.8 W
Physical	
Dimensions	112 mm x 37.2 mm x 119 mm (4.41" x 1.46" x 4.68")
Weight	350 g (0.66 lb)
Approvals	
Certificate	CE, FCC